

For reference only. See data sheet for the detailed specifications.

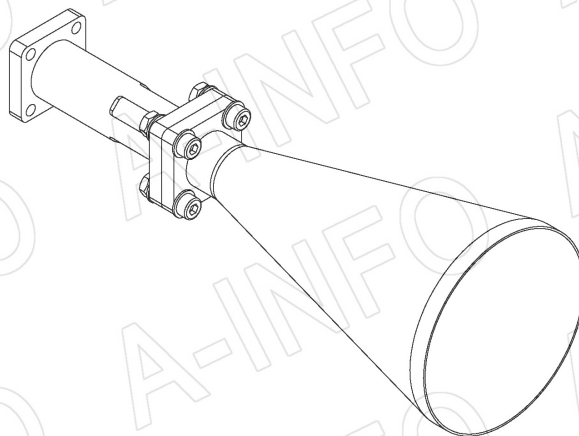
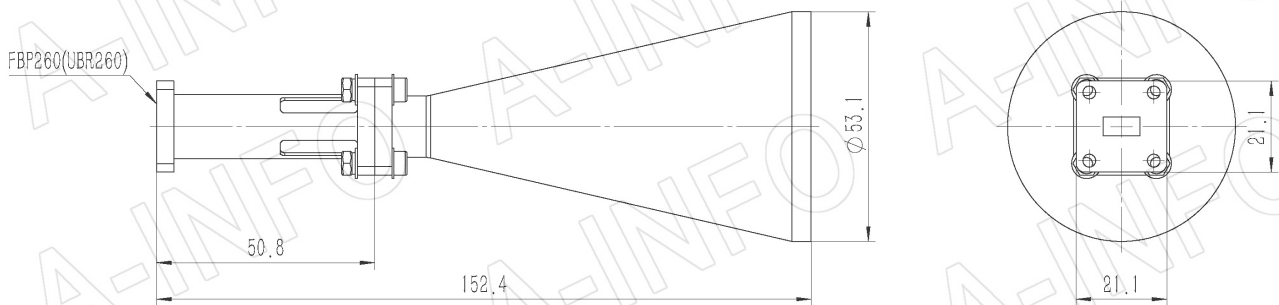
## Technical Specification



|                          |  |
|--------------------------|--|
| Frequency Range(GHz)     | 22.0 – 33.0                                  |
| Waveguide                | WR34   |
| Gain(dBi)                | 20 Typ.                                      |
| Polarization             | Linear                                       |
| 3dB Beamwidth(deg)       | E Plane: 13 Typ.                             |
|                          | H Plane: 16 Typ.                             |
| Cross Pol. Isolation(dB) | 45 Typ.                                      |
| VSWR                     | A Type: 1.15:1 Max.                          |
|                          | C Type: 1.40:1 Max.                          |
| Output                   | A Type: FBP260(UBR260)                       |
|                          | C Type: 2.92mm-Female                        |
| Material                 | Al   |
| Finish                   | Gold Plated and Sliver Plated,<br>Gray Paint |
| Size(mm)                 | A Type: 53.1 x 53.1 x 152.4                  |
|                          | C Type: 53.1 x 53.1 x 176.4                  |
| Net Weight(Kg)           | A Type: 0.12 Around                          |
|                          | C Type: 0.17 Around                          |

## Outline Drawing (Size: mm)

FBP260 Output (P/N: LB-CNH-34-20-A)



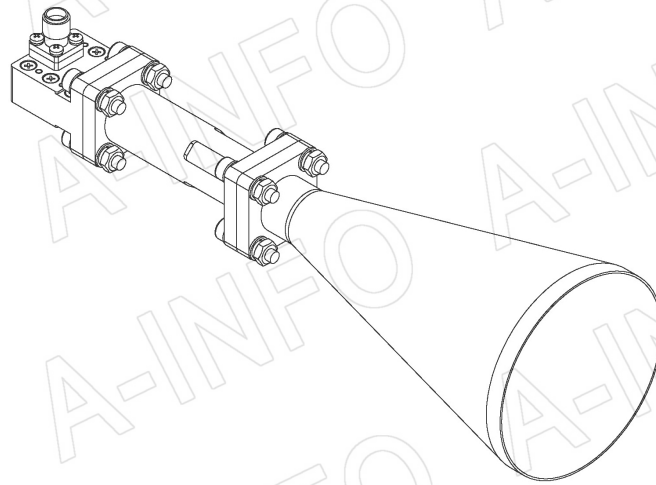
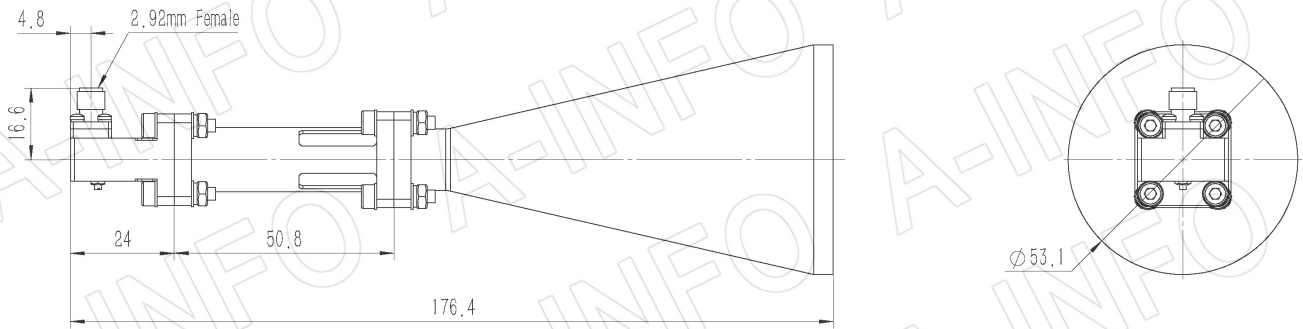
## AINFO Inc.

China(Beijing): Tel: (+86) 10-6266-7326,  
China(Chengdu): Tel: (+86) 28-8519-2786,  
USA : Tel: (+1) 949-639-9688,

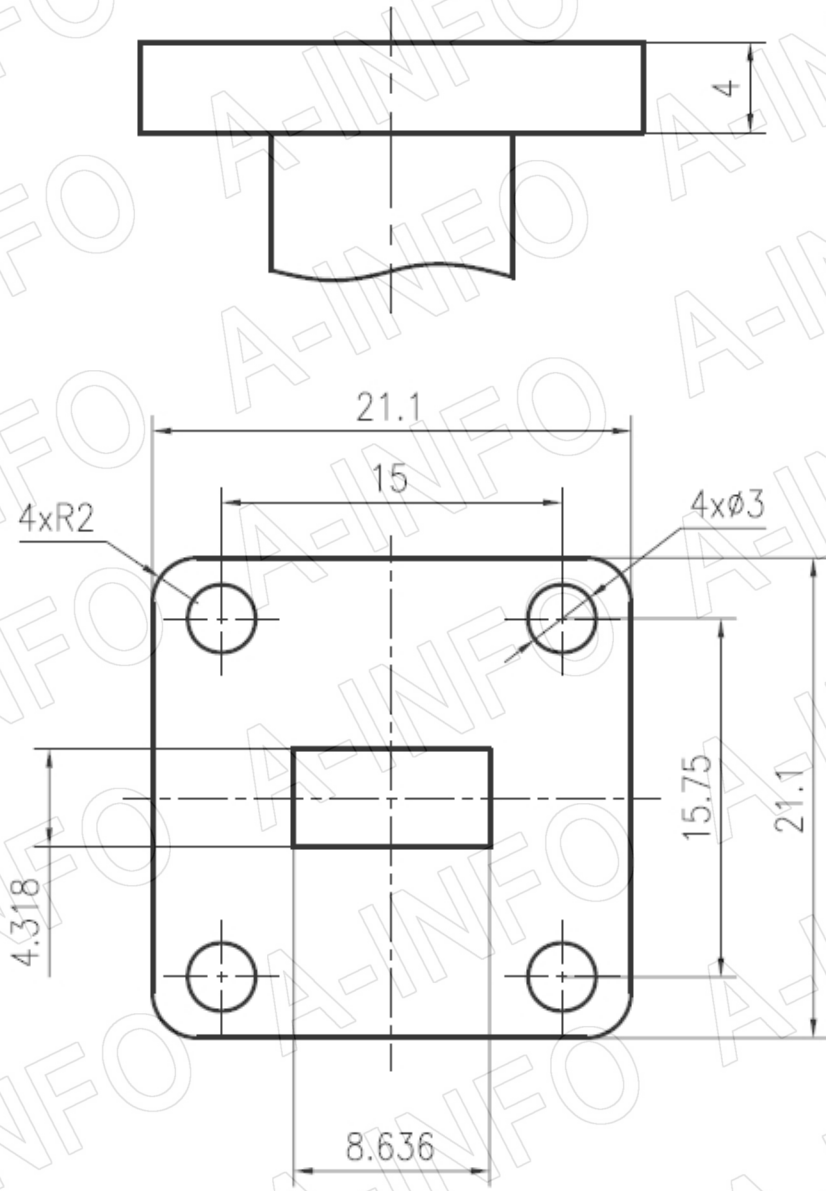
Page 1 of 10  
(+86) 10-6266-7327 Fax: (+86) 10-6266-7379  
(+86) 28-8519-3044 Fax: (+86) 28-8519-3068  
(+1) 949-639-9608 Fax: (+1) 949-639-9670

Website: [www.ainfoinc.com](http://www.ainfoinc.com)  
Email: [sales@ainfoinc.com](mailto:sales@ainfoinc.com)

## 2.92mm-Female Output (P/N: LB-CN-34-20-C-KF)



## Flange Drawing (Size: mm)



### FBP260

#### AINFO Inc.

China(Beijing): Tel: (+86) 10-6266-7326,  
China(Chengdu): Tel: (+86) 28-8519-2786,  
USA : Tel: (+1) 949-639-9688,

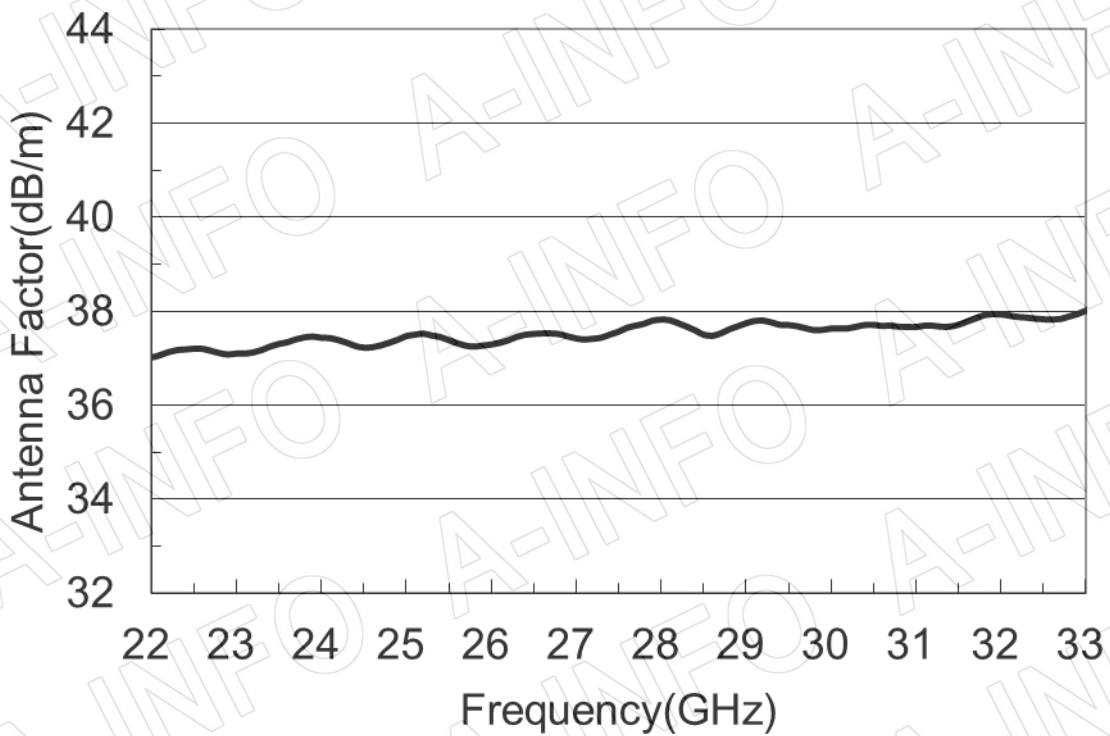
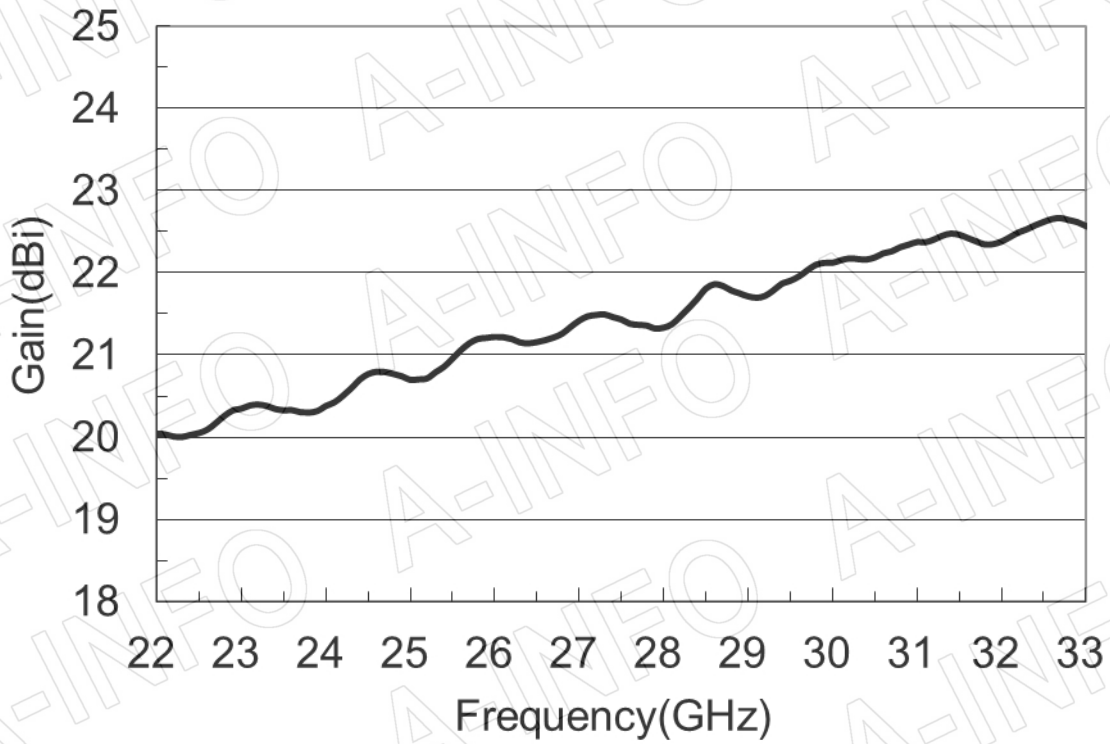
Page 3 of 10

(+86) 10-6266-7327 Fax: (+86) 10-6266-7379  
(+86) 28-8519-3044 Fax: (+86) 28-8519-3068  
(+1) 949-639-9608 Fax: (+1) 949-639-9670

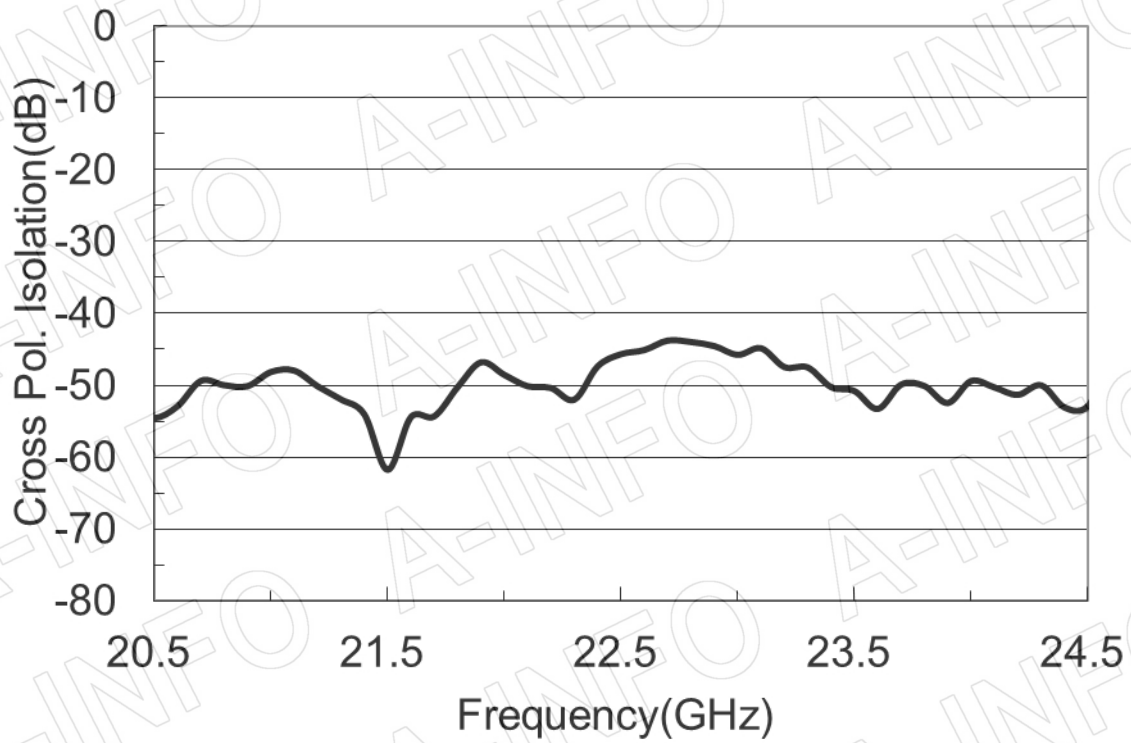
Website: [www.ainfoinc.com](http://www.ainfoinc.com)  
Email: [sales@ainfoinc.com](mailto:sales@ainfoinc.com)

## Test Results

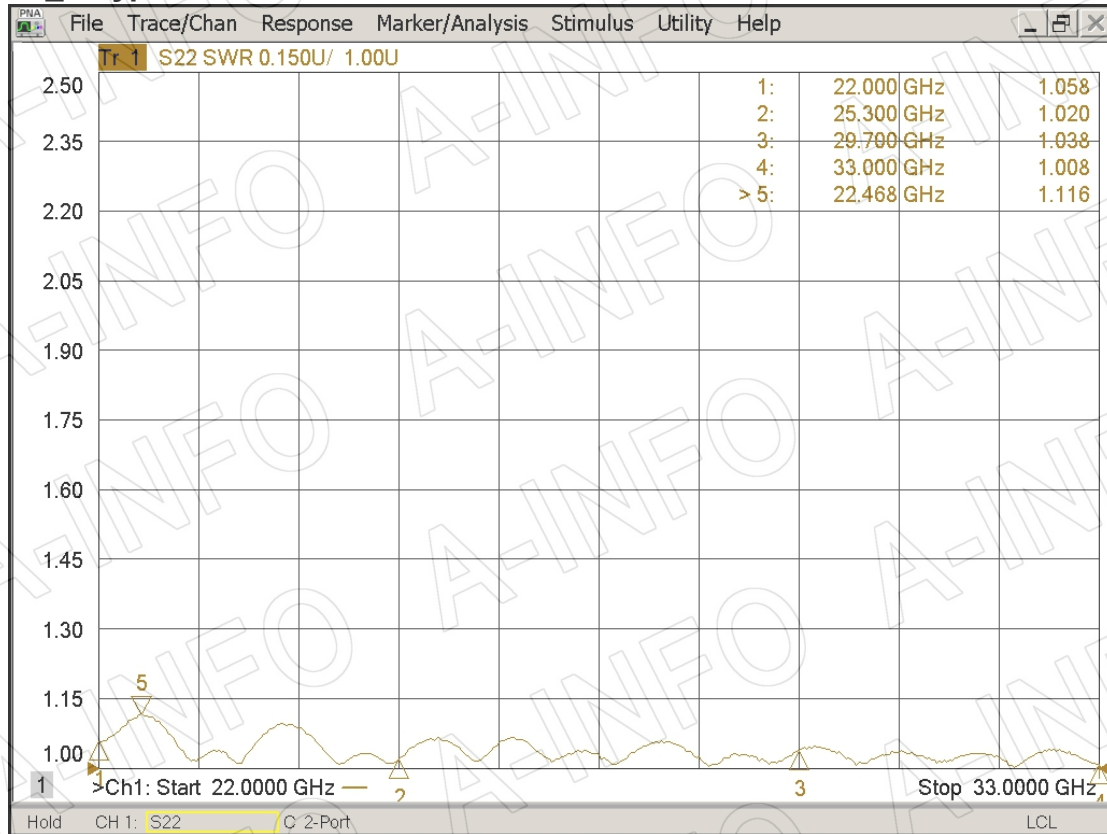
### 1. Gain & Antenna Factor



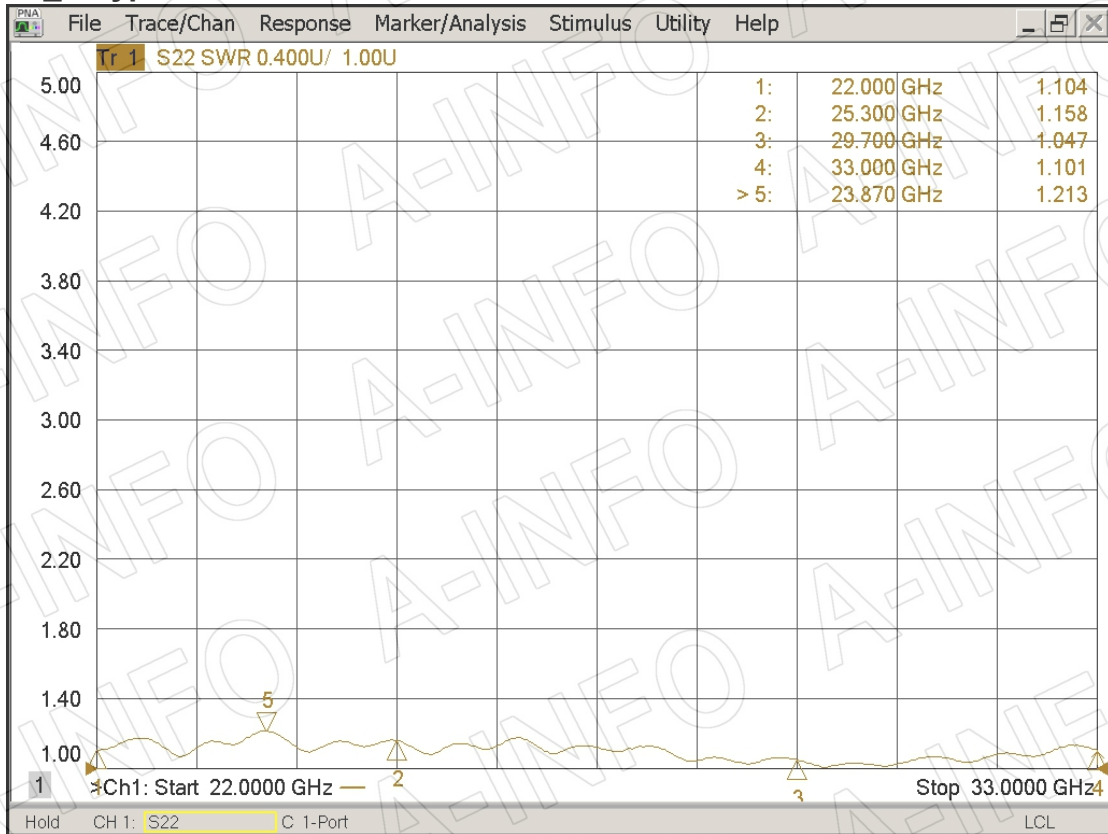
## 2. Cross Polarization Isolation



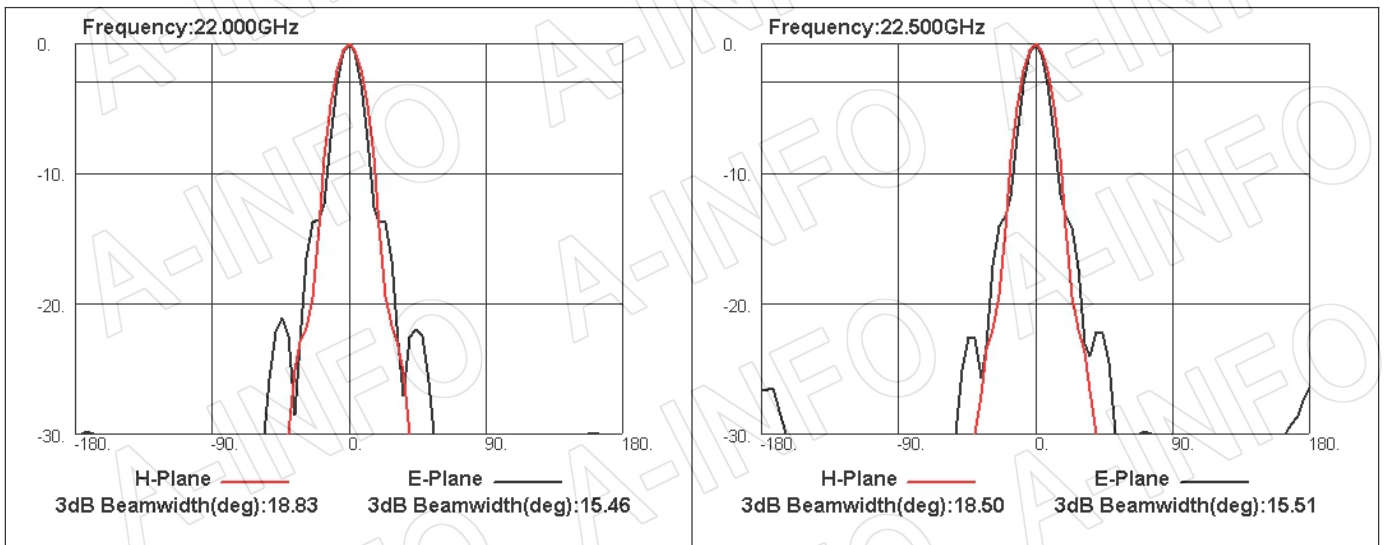
## 3. VSWR\_A Type



## VSWR\_C Type



## 4. Pattern



## AINFO Inc.

China(Beijing): Tel: (+86) 10-6266-7326,  
China(Chengdu): Tel: (+86) 28-8519-2786,  
USA: Tel: (+1) 949-639-9688,

Page 6 of 10

(+86) 10-6266-7327 Fax: (+86) 10-6266-7379  
(+86) 28-8519-3044 Fax: (+86) 28-8519-3068  
(+1) 949-639-9608 Fax: (+1) 949-639-9670

Website: [www.ainfoinc.com](http://www.ainfoinc.com)  
Email: [sales@ainfoinc.com](mailto:sales@ainfoinc.com)

